

Brochure



Now observation becomes action

M500 In-Car Video System



MOTOROLA SOLUTIONS



The more you know what's out there, the more you can keep yourself and the people you serve safe.

The M500 In-Car Video System provides a groundbreaking leap forward in awareness, safety and efficiency.



Mission-critical design

Use with confidence in the toughest conditions

Built on exacting research and real-world feedback, the M500 is designed to withstand the toughest conditions and to work intuitively in the most demanding situations.

The easy-to-install system has a minimal footprint, with small form-factor devices providing unobstructed views. Ultra-durable camera mountings lock into position to resist tampering and impacts. An intuitive user interface makes it simple to operate, with no function more than three taps away. Footage is securely encrypted – at rest and in transit – to combat cyber threats. Even if your vehicle is in a serious collision, the system can switch to a built-in UPS to continue capturing evidence for those vital extra seconds.



Industry-leading video

Catch the critical details other cameras miss

With industry-leading video capture and playback, the M500 delivers a clear record of every incident.

The high-resolution front camera and cabin camera deliver the high-resolution footage you need to precisely document events as they unfold.

The front camera creates wide angle and focused streams, each in dual resolution, to ensure you capture the whole picture. That visual detail and data drives the M500's AI capabilities, so it can accurately analyze events, flag threats, and identify search targets in real time.

The cabin camera's built-in infrared floodlight illuminates the passenger compartment to record every action that occurs.

The rear camera can widen your scope by capturing video evidence from behind the vehicle even in lowlight conditions.

The exterior camera can complete your view by capturing evidence on both sides of the patrol car.

And the ultra-high resolution touchscreen control panel lets you monitor what's out there, review past events, and see exactly what you need to know.



THE 4K FRONT CAMERA CAN RECORD IN CRYSTAL-CLEAR 1080P, WITH PANORAMIC AND FOCUSED VIEWS



Embedded intelligence

Know what's out there with real-time awareness

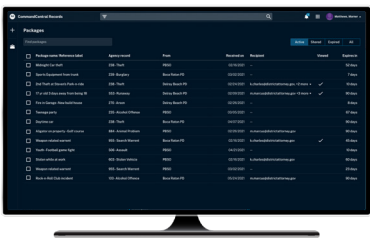
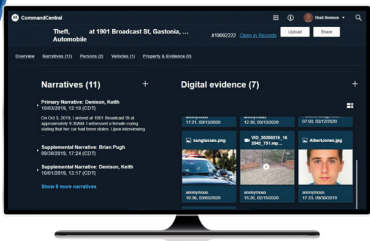
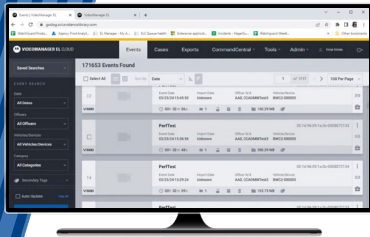
Simultaneously analyzing video while it's recording evidence, the M500 is designed to keep you and your communities safer.

The M500 continuously scans your surroundings using powerful video analytics to identify search targets and threats in real time. Read license plates from up to 40 feet away. Get hit notifications from hot lists you manage in Vigilant VehicleManager. Inside the vehicle, object detection analytics activate the cabin camera if and only if the back seat is occupied. Exhaustive testing helps ensure our algorithms provide accurate, unbiased results so you can serve your communities fairly and responsibly. A combination of cloud and edge algorithms are carefully architected to give you the quickest, most accurate results.

You always have critical information you need to make smarter, faster decisions, to keep everyone safer.



Create group recordings with V500 body cameras for multiple viewpoints on every incident.



Powerful ecosystem

Connect your technology to work safer and smarter. As part of the Motorola Solutions technology ecosystem, the M500 amplifies the capabilities of the mission-critical technology you already count on.

→ Capture

Wireless video upload

Use WiFi and LTE to upload events from M500 to VideoManager.

→ Manage

Digital evidence management

Aggregate and intelligently organize M500 video and other media in VideoManager.

→ Review

Consolidated record view

Easily view all incident information, including the digital evidence.

→ Share

Judicial sharing

Securely share with prosecutors, other agencies and the community with chain of custody intact.



Automated transcription

Save valuable time by automatically transcribing audio and video files.



Video redaction tools

A robust suite of native redaction tools help protect personally identifiable information.



Synchronized playback

Simultaneously see and hear recorded video and audio from multiple devices.

Learn more about VideoManager at: motorolasolutions.com/VideoManager





Streamlined experience

Simplify your ownership from end to end

The M500 gives you the ease and simplicity you expect from the latest technology.

The moment you log into the M500, your settings and preferences are automatically applied – whichever vehicle you're in.

The system is easy to install and can be remotely programmed and updated via the cloud or WiFi connection. Video can be livestreamed and uploaded via broadband connection directly into the VideoManager platform. Our comprehensive warranty and support services give you complete peace of mind.

And the entire system is designed to evolve alongside you. You can easily add new AI applications, cameras, sensors, voice controls, and integrations as your needs and operations change.

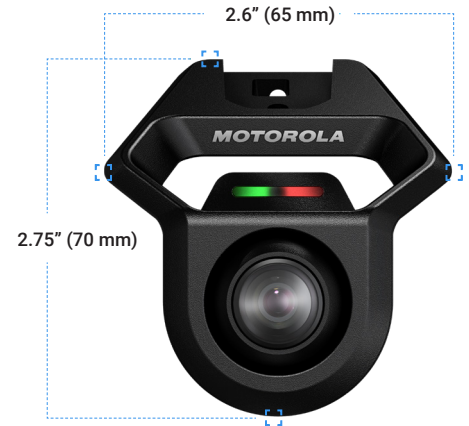
The user interface is built to a scientific design system that delivers a consistently effective experience across our entire ecosystem. Greater consistency means less training, more productivity, and faster operations.



Specifications

M5F Front Camera

- 4K (8MP) sensor
- Delivers 1080p video evidence as panoramic and focused field of view
- Automotive-grade sensor
- Excellent low-light performance
- Calibrated and locked into position at installation

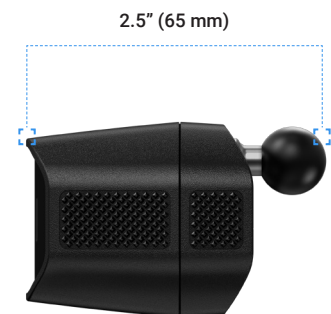
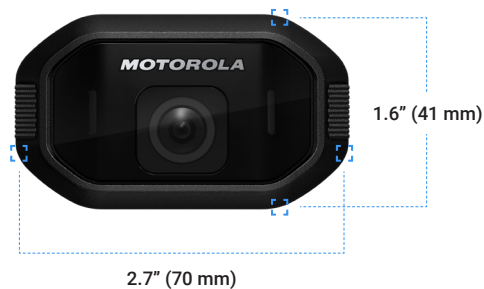


M5P Cabin Camera

- 1080p resolution (4 MP)
- Built-in infrared illumination
- High-grade microphone
- Complete cabin coverage
- Calibrated and locked into position at installation

M5R Rear Camera

- 1080p resolution
- Viewing Angle 108° / Wide view
- Low Light Performance
- Sensor Technology CMOS



Specifications



M500 Core Processor

- Powerful multi-processor architecture
- Optimized for video analytics
- 1 TB automotive-grade solid-state hard drive
- 128 GB removable USB drive (keyed access)
- AES256 encryption on all stored content
- Accelerometer for impact detection
- Supports up to 5 cameras
- Built-in GPS
- Remote triggers
- Integrated with body cameras for group recordings
- Record-after-the-Fact™ evidence recovery technology
- Built-in UPS (approx 10 secs of operation if power is lost)

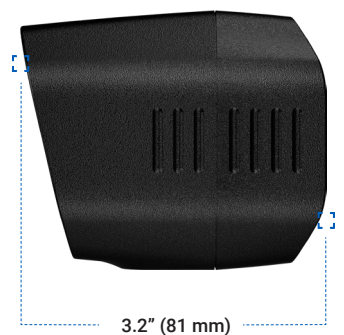
M5D Control Panel

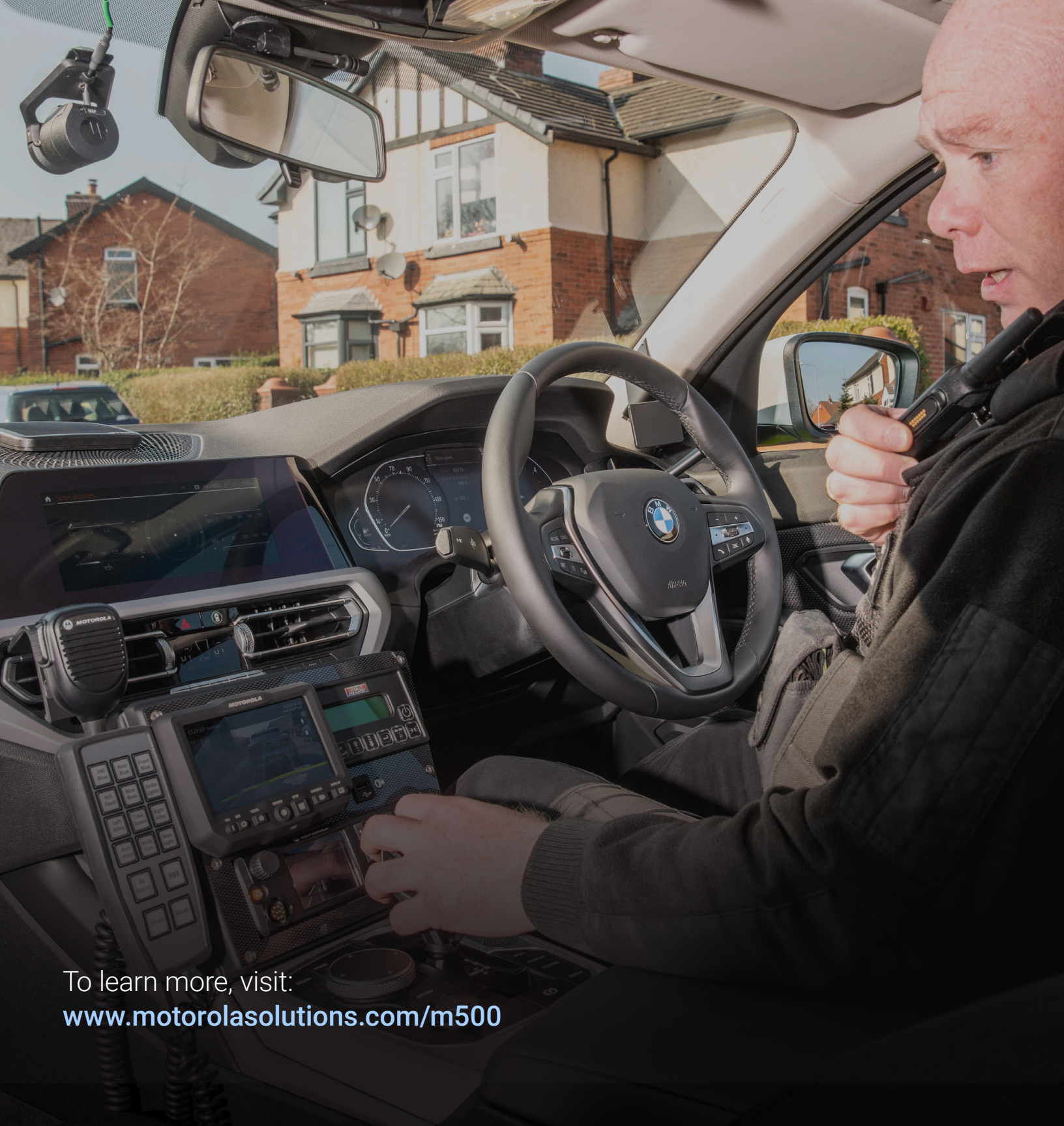
- 5" diagonal industrial-grade capacitive multi-touch screen
- Resolution: 1920 x 1080 pixels
- 7x dedicated buttons for critical features
- Standard, covert and dark modes
- Silicone overmold for secure grip
- Built-in ambient light sensor



M5E Exterior Camera

- 1080p resolution
- Viewing Angle 108°/ Wide View
- Weather proof
- Low light performance





To learn more, visit:
www.motorolasolutions.com/m500



Motorola Solutions UK Ltd. Nova South, 160 Victoria Street, London, SW1E 5LB, United Kingdom.

Availability is subject to individual country law and regulations. All specifications shown are typical unless otherwise stated and are subject to change without notice. MOTOROLA, MOTO, MOTOROLA SOLUTIONS and the Stylized M Logo are trademarks or registered trademarks of Motorola Trademark Holdings, LLC and are used under license. All other trademarks are the property of their respective owners.
©2023 Motorola Solutions, Inc. All rights reserved. 07-24 [RH03]